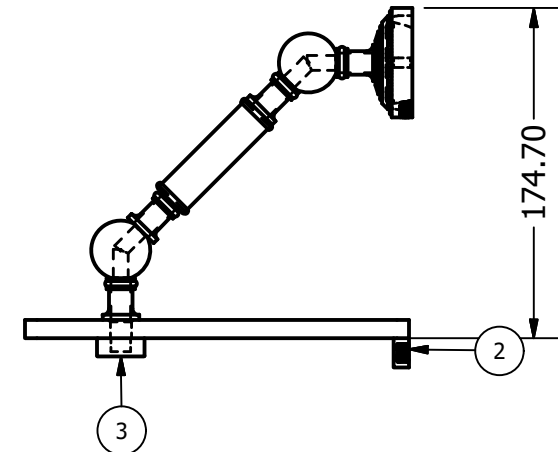
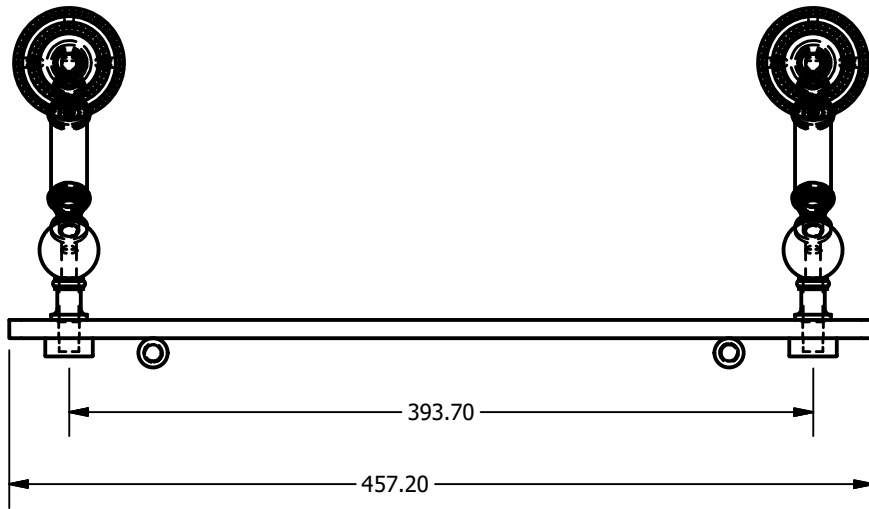
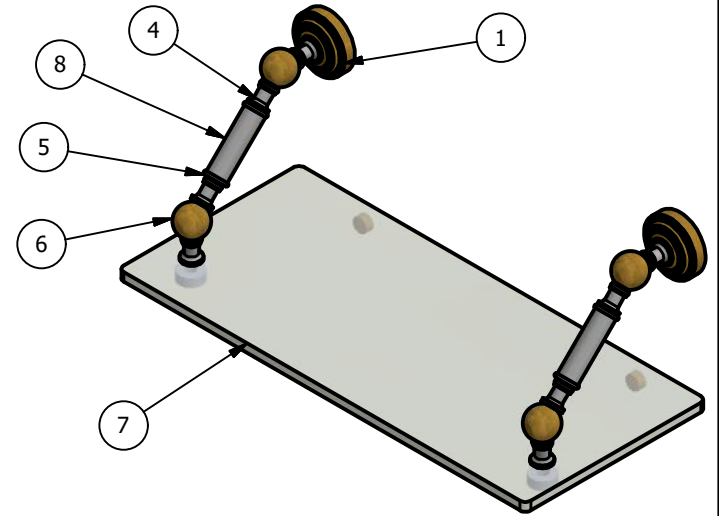
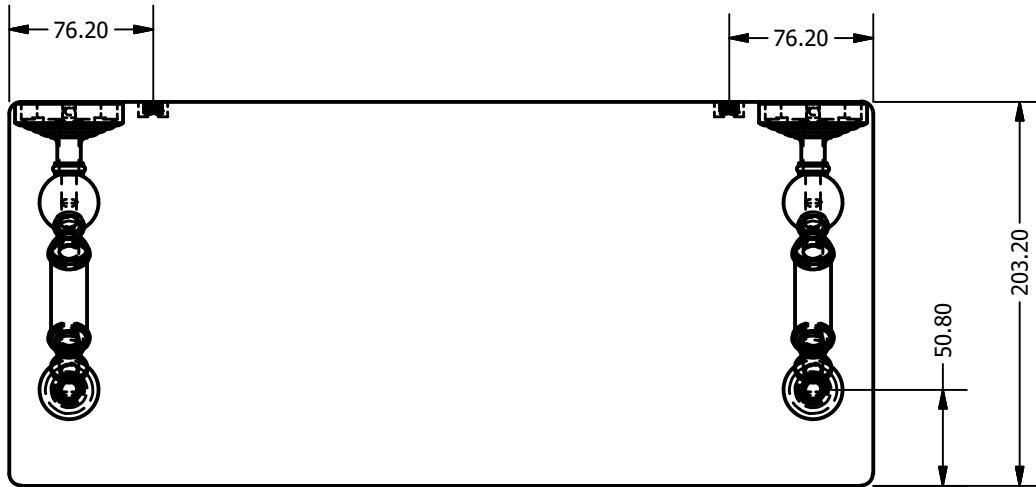


2

1



DT-1-18			
ITEM	QTY	PART NUMBER	DESCRIPTION
1	2	BPDT	BACKPLATE
2	2	CARD-58	CAP
3	2	CARD-1	CAP
4	8	NKSL-78	7/8 Inch Neck Slip Fitting X .75 Inch Diameter
5	4	CRRD-34	CHECK RING
6	4	BL2TD-135-1.25	2 TAP FOR GLASS SHELF
7	1	GLRT-8X18	GLASS
8	2	TU-34-2.5	TUBE

**APPROVED FOR PRODUCTION**  
 By: RICHARD PAUL  
 Date: 9-21-18

UNLESS OTHERWISE SPECIFIED	
.X	± .3mm
.XX	± .15mm
.XXX	± .008mm

UNIT IS IN MM.

DRAWN	9-21-18	IM	MATERIAL:	BRASS
CHECKED	9-21-18	P.D.	DESCRIPTION:	
APPROVED	9-21-18	R.A.	Dottingham Collection 18 Inch Floating Glass Shelf	



THIRD ANGLE PROJECTION



FINISH	TBD
QTY	TBD
DRAWING NO.	REV
DT-1-18	0
SCALE	1.5:1 SHEET: 1 OF 1 A4

2

1